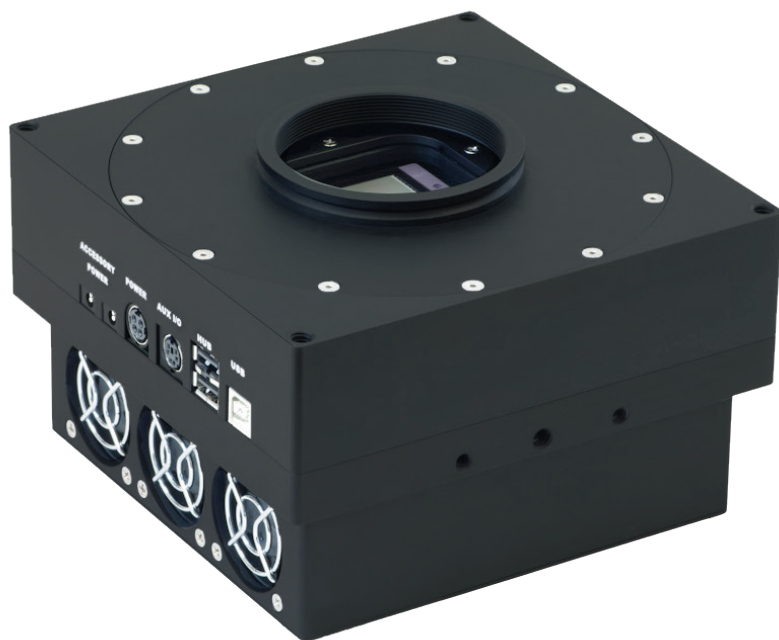


ProLine PL09000

3056 x 3056 Imaging Array Size
12 μm Pixel Size

ProLine sets the standards in key performance areas that include: Download Speeds, Cooling, Low Noise Operation, Anti-Ghosting Technology, Image Quality, and Linearity. ProLine download speeds are fast while maintaining low-noise frame quality. ProLine achieves outstanding cooling without water assist. Simply set the ProLine cooling where you want it and the camera will do the rest – quickly and without worries. ProLine frame quality is second to none thanks to careful design, implementation and setup. All cameras are assembled in our clean room under exacting conditions and must pass a battery of tests before being shipped.



Applications

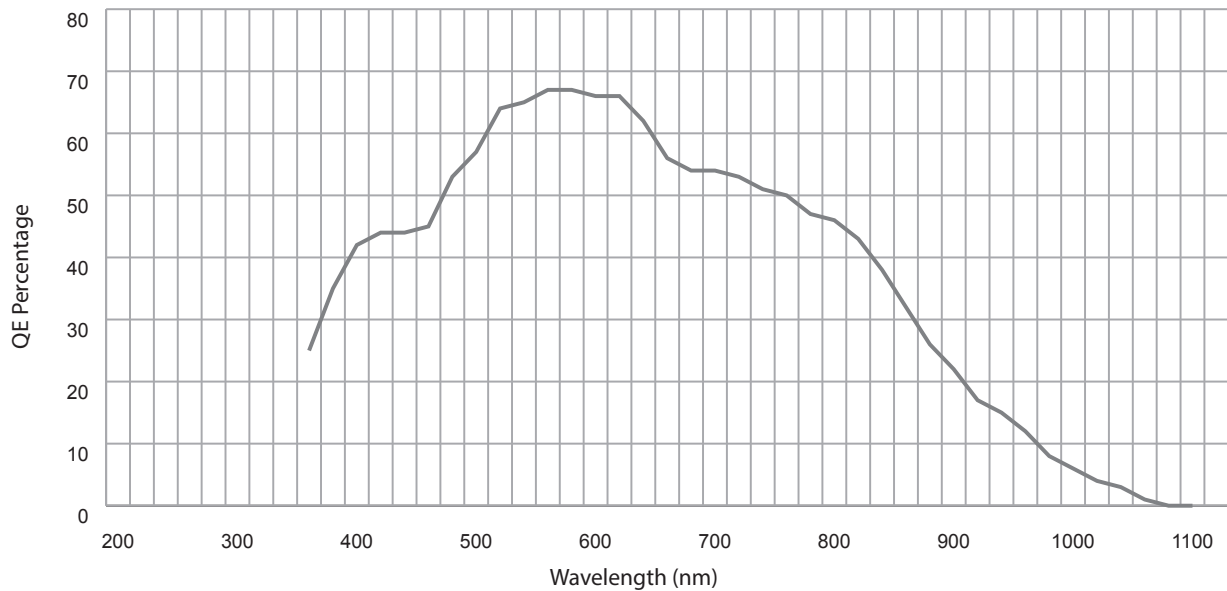
Digital Radiography	Gel Documentation
Astronomy	Forensic Imaging
Bioluminescence	Satellite Imaging
Chemoluminescence	Low Light Level Imaging

Features	Benefits
Up to 8 MHz Download Speed	Fast image capture with full 16-bit resolution
3056 x 3056 Array Size / 12 μm Pixel Size	Resolves fine detail
Flexible Binning and Readout	Increases frame rate
Thermoelectric Cooling to 55°C Below Ambient	Excellent low-noise imaging
Excellent Quantum Efficiency	High sensitivity for fast image acquisition
F-Mount Available	Offers a wide variety of optical choices
Acquisition Software	Supplied with camera and includes our open source SDK
USB 2.0 Interface	Industry standard connectivity, fast data transfer



Monochrome

PL09000 Quantum Efficiency



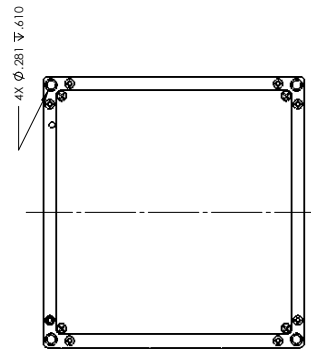
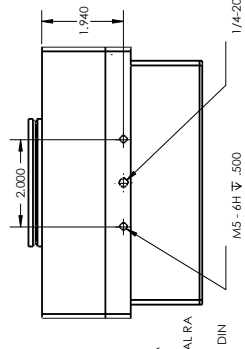
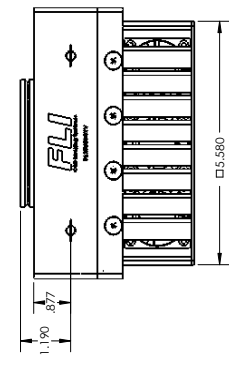
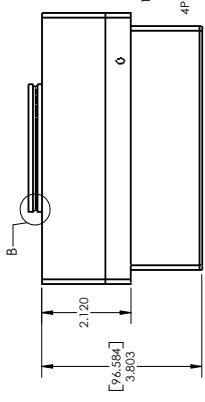
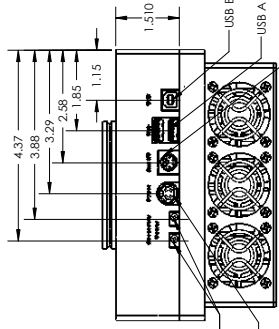
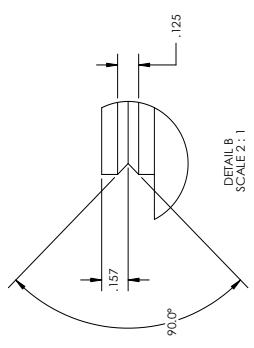
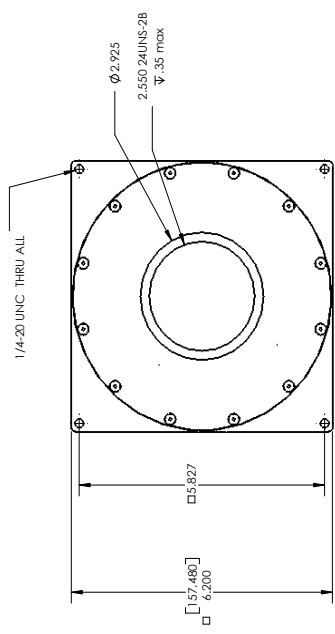
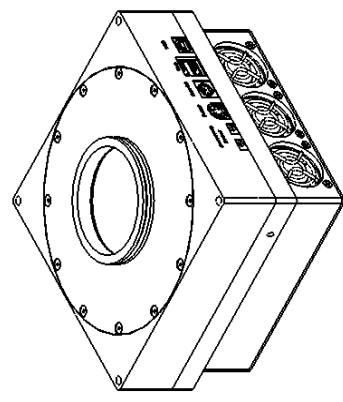
PL09000 Specifications	
Sensor	KAF-09000
Array Size	3056 x 3056
Pixel Size	12 μ m
Typical Maximum Cooling	55°C Below Ambient
Typical Download Speeds @ 16-bit	1 MHz, 8 MHz
Typical System Noise	10e- @ 1 MHz; 14e- @ 8 MHz
Nonlinearity	<1%
Temperature Stability	0.1° C
Operating Environment	-30° C - 45° C 10% - 90% Relative Humidity
Sensor Manufacturer	Kodak
CCD Grades Available	Standard
CCD Type	Front Illuminated
Color/Monochrome	Monochrome
Mega Pixels	9.3
Sensor Diagonal	51.9 mm
Linear Full Well	110,000 e-
Typical Dark Current	<0.1 e-/pixel/sec. @ -35°C
Blooming Protection	> 100X Saturation Exposure
Available Shutters	65 mm
Shutter MTBF	1,000,000
Remote Triggering	Standard
Power	12v
Interface	USB 2.0
Dimensions	6.2 x 6.2 x 3.8 (157.48 x 157.48 x 96.52)

* Due to continuous development all specifications subject to change



Engineering Excellence
Because Your Image Depends On It

REV. A	DESCRIPTION	DATE
1	ASSEMBLY	12/20/2008



LINES OR DIMENSIONS SPECIFIED		NAME	DATE
DRAWN		REC.	DATE
CHECKED		ENG APPR.	
MFG APPR.		Q.A.	
COMMENTS:			
RESIST COATING:			
FINISH:			
DO NOT SCALE DRAWING			

PROPERTY AND COMPARISON		PL(X) 65MM	
INFORMATION CONTAINED IN THIS DRAWING IS THE PROPERTY OF THE DRAWING COMPANY AND IS TO BE KEPT IN CONFIDENTIALITY WITHOUT THE WRITTEN PERMISSION OF THE COMPANY.		TITLE: Camera Assy PROLINE	
SIZE	DWG. NO.	SCALE: 1:2	WEIGHT:
C	ASSY_PL(X)_65MM_AC		
REV	A		SHEET 1 OF 1